

Winlet
350TH



Pat. Pending

A GOOD WORKING ENVIRONMENT >> LESS DAMAGE TO MATERIALS >> SATISFIED EMPLOYEES >> STRONG BACKS >> FASTER INSTALLATION...

Winlet 350TH - a revolutionary new way of installing windows. Using the Winlet 350TH window robot, you can quickly and dramatically improve health and safety at work. Window elements weighing up to 350 kg can be lifted, transported and installed easily, without straining the back. The results will show up directly on your bottom line as your employees will be able to work more efficiently, avoiding back injuries and sick days, which will result in faster installations without damages to the glass. Finally - a window robot which improves efficiency and meets the increasing requirements from national Occupational Health & Safety Administrations.

WWW.WINLET.DK

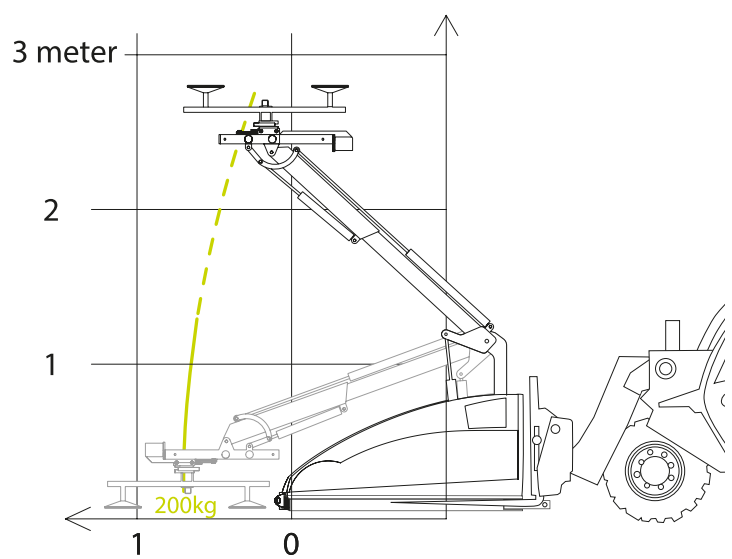
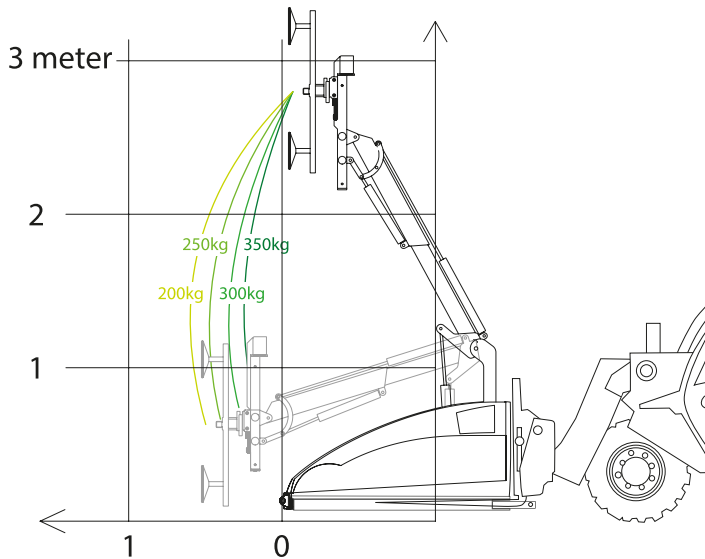


FLEXIBLE AND FAST

Winlet 350TH used for installation of windows in buildings, where the standard Winlet cannot be used due to height or where site conditions make maneuverability difficult. Winlet 350TH is available as standard with fork pockets which are appropriate for all machines or with Quick Shift for Telehandler. In addition, the Winlet 350TH have a hydraulic system which makes it independent from the Telehandler.

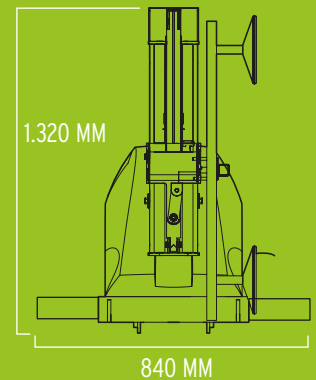
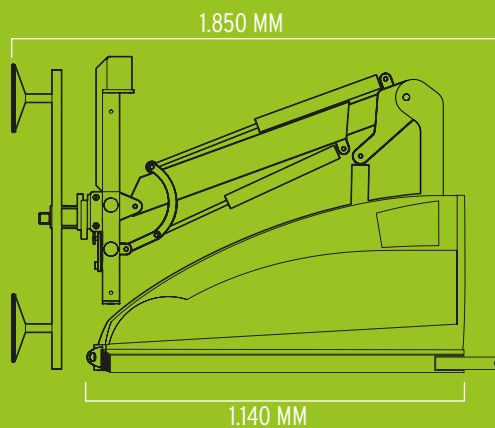


MEASUREMENTS



MAXIMUM CAPACITY AND SAFETY

Winlet 350TH has no less than 350 kg lifting capacity and has a 2-circuit vacuum system which provides great security. The impressive 500 mm telescopic feature allows mounting of elements in places where other machines give up.



SPECIFICATIONS

EXTERNAL LENGTH	1.850 MM
EXTERNAL WIDTH	840 MM
MAX. LIFTING CAPACITY	350 KG
MAX. LOAD AT MAX. EXTENSION	200 KG
MAX. CAPACITY ON SIDE	200 KG
TOTAL WEIGHT	400 KG
MIN. EXTENSION (front bumper to suction cup)	290 MM
MAX. EXTENSION (front bumper to suction cup)	790 MM
MAX. LIFTING HEIGHT (from forklift to center lifting beam)	2.700 MM
SIDE OFFSET	100 MM
FINE LIFT ON ARM	500 MM
TILT FUNCTION	180 DEGREES
CONTINUOUS ROTATION	360 DEGREES
SUCTION CUPS	6 X Ø270 MM
BATTERIES	2 X 95 AH

ACCESSORIES



- **LIFTING FORK & LIFTING HOOK** - for lifting of pallets or with straps
- **LIFTING SLING** - for lifting the Winlet in crane hook
- **SHUT-OFF VALVES** - on suction cups
- **QUICK CONNECTORS** - on suction cups or main supply
- **EXTENSION OF THE BEAMS** - customized cross - and main beams
- **ANGLED FRONT** - horizontal lifting
- **RADIO REMOTE CONTROL**
- **QUICK SHIFT FOR TELEHANDLER**

SUPERIOR USEABILITY



Multifunction control panel in operatorfriendly design with integrated buttons. Signal lights and Double action safety keys are both in the standard setup on the Winlet 350TH.

Dealer:

GMV A/S (SOUTH)
INDUSTRI-PARKEN 1
DK - 7182 BREDSTEN

GMV A/S (NORTH)
INDUSTRI-VEJ 10
DK - 7620 LEMVIG

TEL +45 7573 8247
CVR DK 21801283
WWW.GMVAS.DK
WWW.WINLET.DK
WWW.ERGOMOVER.DK

GMV
Cranes and Handling